

Instructions for operation

Aspiration cleaners type R14 - R25 - R40 – R60



Contents

Contents	2
In this users' manual the following symbols will be used before text that you must particularly take note of.	2
Applications:	3
Placement and assembly.....	4
Connection to electric power	5
Service / Maintenance	5
Guarantee	5
Technical specifications:.....	6
Accessories	6
ASPIRATION CLEANER R25	7
Technical specifications:.....	7
Accessories	7
ASPIRATION CLEANER R40	8
Technical specifications.....	8
Accessories	8
ASPIRATION CLEANER R60	9
Technical specifications.....	9
Accessories	9

In this users' manual the following symbols will be used before text that you must particularly take note of.



Warning triangle

This symbol is used where there is risk of danger til life or limb.

Caution!

These words are used in all regulations, directions and instructions. If these are not followed there is a risk of damage to or destruction of the aspiration cleaner.



This symbol is used when it is essential to use hearing protection.

Applications:

The aspiration cleaner is designed for cleansing dust, husks and lightweight impurities from grain. It is also intended for cleansing seeds, rice, plastic granules, etc.

Description:

The aspiration cleaner consists of a centrifugal blower combined with a cleansing device, and it can be attached to a cyclone from which the waste can be bagged.

The motor is attached directly to the blower which is mounted with the intake opening downwards.

The grain is taken through a pipe into the cleansing device where it falls down over a winged wheel that is mounted on a horizontal axle which rotates with the force of the airflow from the centrifugal blower.

The winged wheel spreads the grain so it is dispersed into the upwards moving airflow. The lighter bits amongst the grain are sucked with the airflow up and through the centrifugal blower and on to the cyclone.

A regulator valve is placed next to the blower so that effect of suction can be regulated.

Safety instructions:

During operation of the aspiration cleaner the user must always observe the relevant guidelines for prevention of accidents and the following safety instructions.



The operator must never stand in front of the air stream.

Never stick any item or reach into the aspiration cleaner's outgoing air stream/blow-out tube or suction/air intake.

The blower must not be started without a guard in front of the blow-out/expulsion tube.

During every repair job the electric power supply must be disconnected, such that others cannot restart the aspiration cleaner by accident.



Hearing protection must be worn in the work-space where the aspiration cleaner is operating and the entrance to the workspace must be signed as a high noise area.

Further, the management is responsible for ensuring the workspace is noise insulated as much as possible.

Placement and assembly

The aspiration cleaner and cyclone should be correctly mounted/hung in the hanger fittings. The length of tube between the aspirator cleaner and cyclone must not exceed 24 metres in horizontal length.

The aspirator cleaner should be hung so that its centre line is exactly vertical.

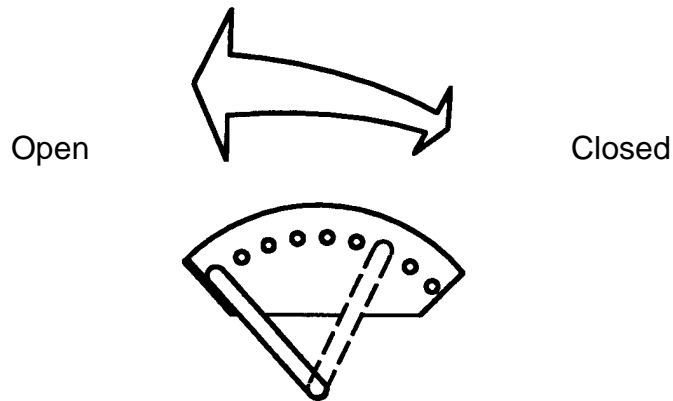
The aspirator cleaner should be fed through the inlet funnel. If the inlet funnel is removed and replaced with a permanent closed connection the cleaning effect will be reduced considerably.

Adjusting the cleaning effect

Regulator valve

Open: Max. cleaning effect

Closed: Min. cleaning effect



Connection to electric power



Connection to the electric power supply of the device supplied by us must only be undertaken by an authorised electrician.

Connection to the power supply must be in accordance with the instructions.

The blower must always be connected to a motor safety cut-out switch and motors 5.5 kW 7,5kW a star delta switch (motor overload protection).

When connecting the cleaner you must be sure that the fan wheel's direction corresponds to the arrow on the blower. If rotation direction is changed it can have consequences for the electrician.

Service / Maintenance

After 40 hours of operation you must check that all discs and nuts are securely fastened and if not, they must be tighten

Guarantee

The factory guarantee is valid for 2 years and covers all parts that, on account of material or manufacturing faults, need to be replaced.

The factory guarantee does not cover damage caused by water or transport or consequences thereof - therefore protect the aspirator cleaner from moisture and water.

The factory guarantee is null and void if the directions in this instruction manual are not adhered to.

SØBY President aspiration cleaner

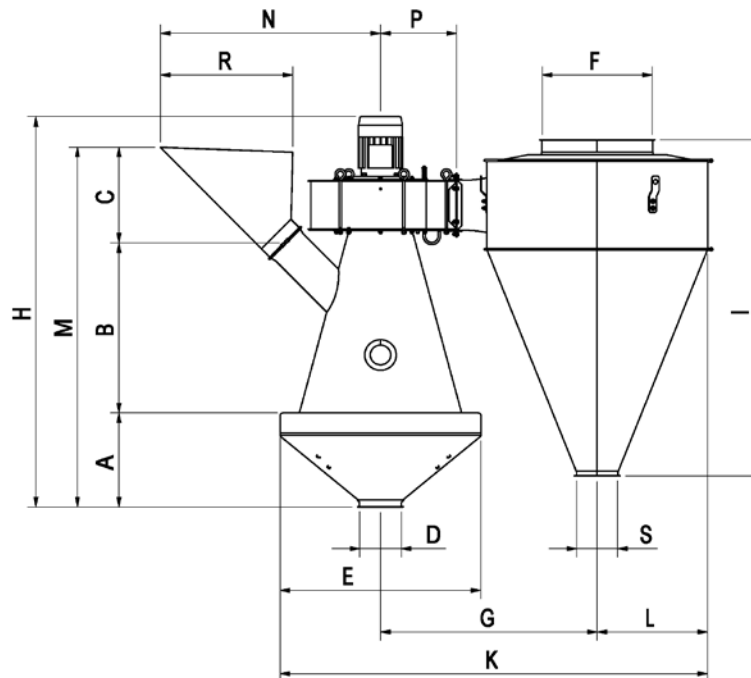
The aspiration cleaner is available in 3 sizes
 14 tons/hour, 25 tons/hour, 40 tons/hour, 60 tons/hour
 Powder-painted finish.

ASPIRATION CLEANER R14

Aspiration cleaner R14 with 0.75kW motor, connecting funnel, hangers, inspection window, regulator valve, plus adaptor sections for extension of tubing Ø150

Technical specifications:

- Motor type B5: 0,75 kW 3000 rev/min
- Capacity: 12-14 t/hour
- Air volume: 1400 m³/hour
- mmVS: 120
- Blow tube: Ø150 m
- Tube length horizontal: max. 18 m
- Weight: 32 kg
- Weight cyclone: 14 kg



Type	A	B	C	D	E	F	G	H	I
R14	241	450	328	150	502	300	617	1144	892
Type	K	L	M	N	P	R	S		
R14	1156	276	1019	629	197	388	150		

Accessories

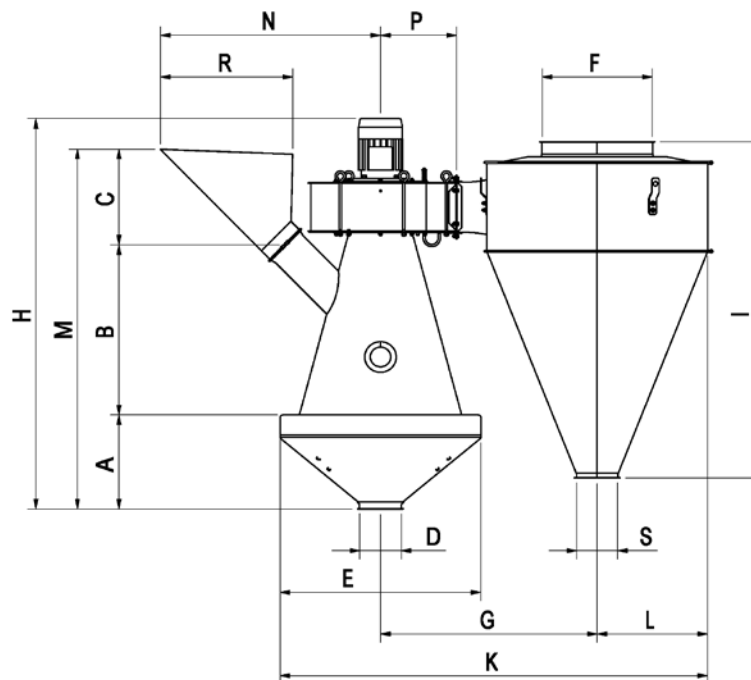
- Inlet funnel for R14
- Stativ support stand for R14
- Cyclone R14 Ø600
- Inlet Ø150
- Air regulator valve Ø300

ASPIRATION CLEANER R25

Aspiration cleaner R25 with 2,2kW motor, connecting funnel, hanger, inspection window, regulator valve plus adaptor sections for extension of tubing Ø200

Technical specifications:

- Motor type B5: 2.2 kW 3000 rev/min
- Capacity: 20-25 t/hour
- Air volume: 2400 m³/time
- mmVS: 150
- Blow tube: Ø200 mm
- Tube length horizontal: max. 24 m
- Weight: 78 kg
- Weight cyclone: 30 kg



Type	A	B	C	D	E	F	G	H	I
R25	338	612	344	150	725	400	783	1404	1210
Type	K	L	M	N	P	R	S		
R25	1544	399	1294	794	275	477	200		

Accessories

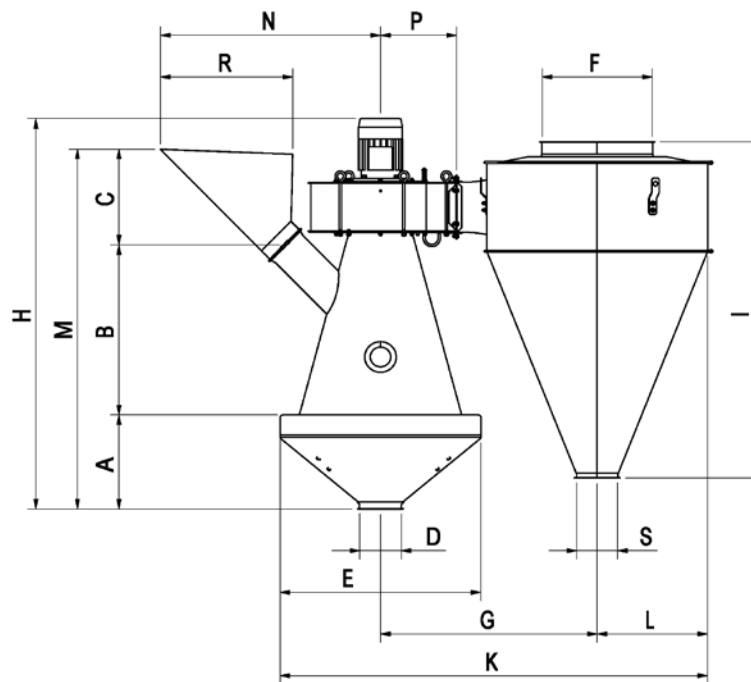
- Inlet funnel R25
- Support stand R25
- Cyclone R25 Ø800
- Inlet Ø200
- Air regulator valve

ASPIRATION CLEANER R40

Aspiration cleaner R40 with 5.5kW motor, connector funnel, hanger, inspection window, regulator valve plus adaptor sections for extension of tubing Ø300

Technical specifications

- Motor type B5: 5.5 kW 3000 rev/min
- Capacity: 40-50 t/hour
- Air volume: 5500 m³/hour
- mmVS: 225
- Blow tube: Ø300 mm
- Tube length horizontal: max. 21 m
- Weight: 185 kg
- Weight cyclone: 52 kg



Type	A	B	C	D	E	F	G	H	I
R40	410	920	780	200	1000	400	1400	2140	2400
Type	K	L	M	N	P	R	S		
R40	2250	350	2110	1010	580	750 x750	200		

Accessories

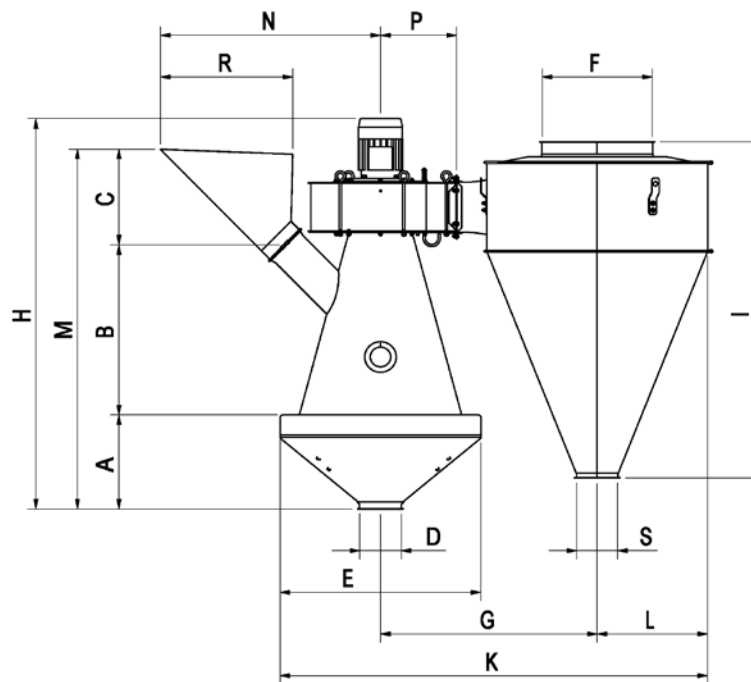
- Inlet funnel R40
- Support stand R40
- Cyclone R40 Ø1000
- Inlet Ø300
- Air regulator valve Ø400

ASPIRATION CLEANER R60

Aspiration cleaner R60 with 7.5kW motor, connector funnel, hanger, inspection window, regulator valve plus adaptor sections for extension of tubing Ø300

Technical specifications

- Motor type B5: 7.5 kW 3000 rev/min
- Capacity: 40-50 t/hour
- Air volume: 6000 m³/hour
- mmVS: 225
- Blow tube: Ø300 mm
- Tube length horizontal: max. 21 m
- Weight: 189 kg
- Weight cyclone: 52 kg

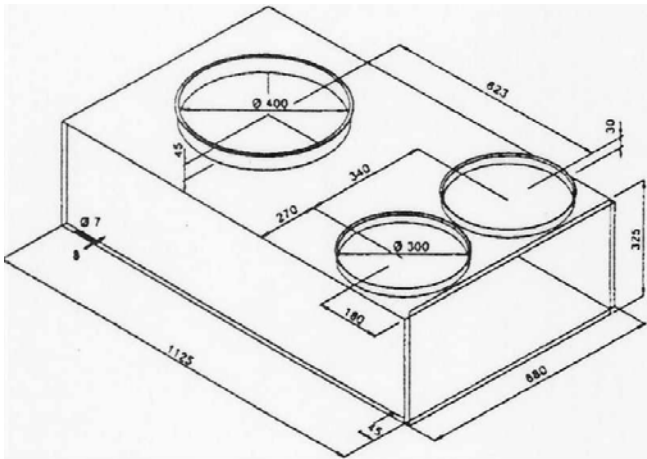


Type	A	B	C	D	E	F	G	H	I
R60	410	920	780	200	1000	400	1400	2140	2400
Type	K	L	M	N	P	R	S		
R60	2250	350	2110	1010	580	750 x750	200		

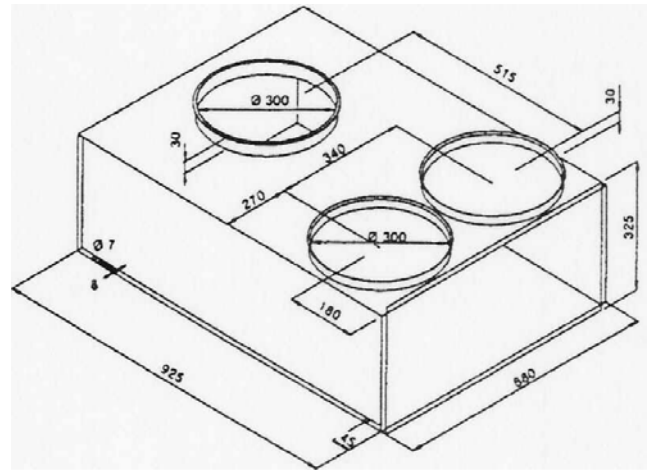
Accessories

- Inlet funnel R60
- Support stand R60
- Cyclone R60 Ø1000
- Inlet Ø300
- Air regulator valve Ø400

R25 – R60



R14



Extension

